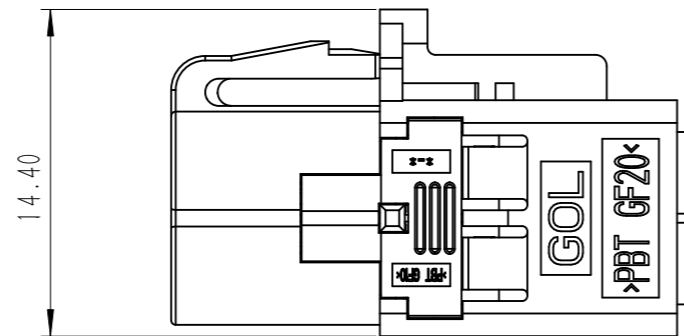
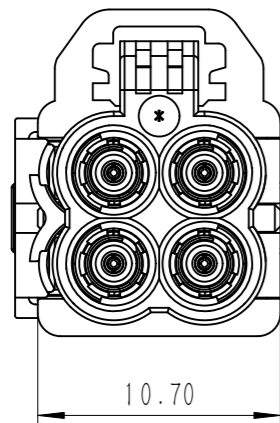
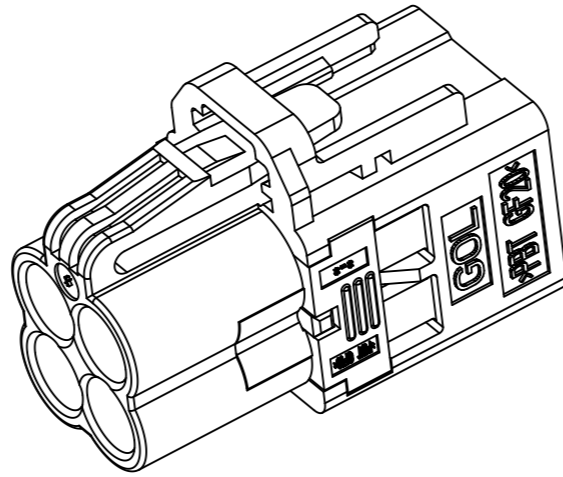
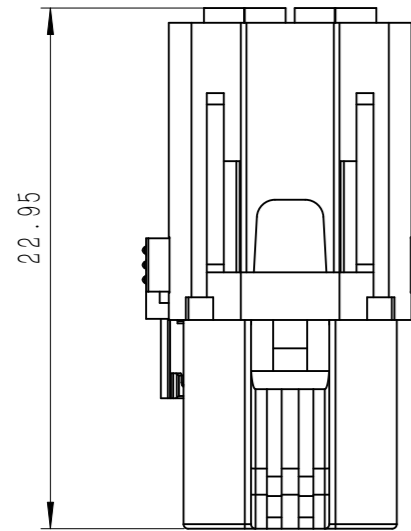


此文件为双方检验的唯一标准

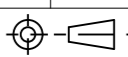
This document is the only standard for inspection by both parties.

REV.	ECN. NO.	MODIFY. CONTENT	DATE
X1	/	INITIAL	2021-01-14
X2	/	DELETE CPA	2021-02-05



NOTES:

1. ELECTRICAL CHARACTERISTICS:
 - a. WORKING VOLTAGE: 335 V rms;
 - b. CURRENT RATING: 1.5 A DC;
 - c. TEST VOLTAGE: 750 V rms;
 - d. INSULATION RESISTANCE: 1000 MΩ Min.;
 - e. INNER CONTACT RESISTANCE: 24 mΩ Max.;
 - f. OUTER CONDUCTOR RESISTANCE: 5 mΩ Max.。
3. MECHANICAL CHARACTERISTICS:
 - a. MATING CYCLES: 25 cycles;
 - b. ENGAGEMENT FORCE: <=45 N,
 - c. DISENGAGEMENT FORCE: 5 N Min.;
 - d. CODING RETENTION FORCE: 110N Min.;
4. ENVIRONMENTAL CHARACTERISTICS:
 - a. WORKING TEMP.: -40~105℃;
 - b. THERMAL SHOCK: ISO 20860-2 CLAUSE 9.2
 - c. TEMPERATURE AND HUMIDITY: ISO 20860-2 CLAUSE 9.3
 - d. VIBRATION AND DMECHANICAL SHOCK: ISO 20860-2 CLAUSE 9.1
 - e. DRY HEAT: ISO 20860-2 CLAUSE 9.4
5. RoHS: COMPLIANT;
6. PACKAGE: TAPE REEL.

GENERAL TOLERANCE		DRAWN	2021-02-05	SCALE	PART NO.	1MFCN01F04P*PS00
X. ±0.15	X° ±1°	CHECKED		1:1	TITLE	Customer Drawing
.X ±0.10	.X° ±0.1°	APPROVED		UNITS	mm	Mini Fakra 4 in 1
.XX ±0.05		FILE NO.	MFCN0101S	 -		Cable Side Connector
.XXX ±0.03		REV.				
SHEET	1/2	Q'TY	1	X2	苏州祥龙嘉业电子科技股份有限公司 Goldenconn Electronics Technology Co.,LTD	

此文件为双方检验的唯一标准
This document is the only standard for inspection by both parties.

REV.	ECN. NO.	MODIFY. CONTENT	DATE
X1	/	Initial	2021-01-14
X2	/	DELETE CPA	2021-02-05

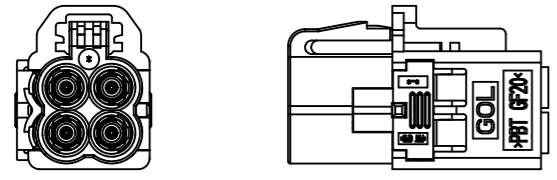
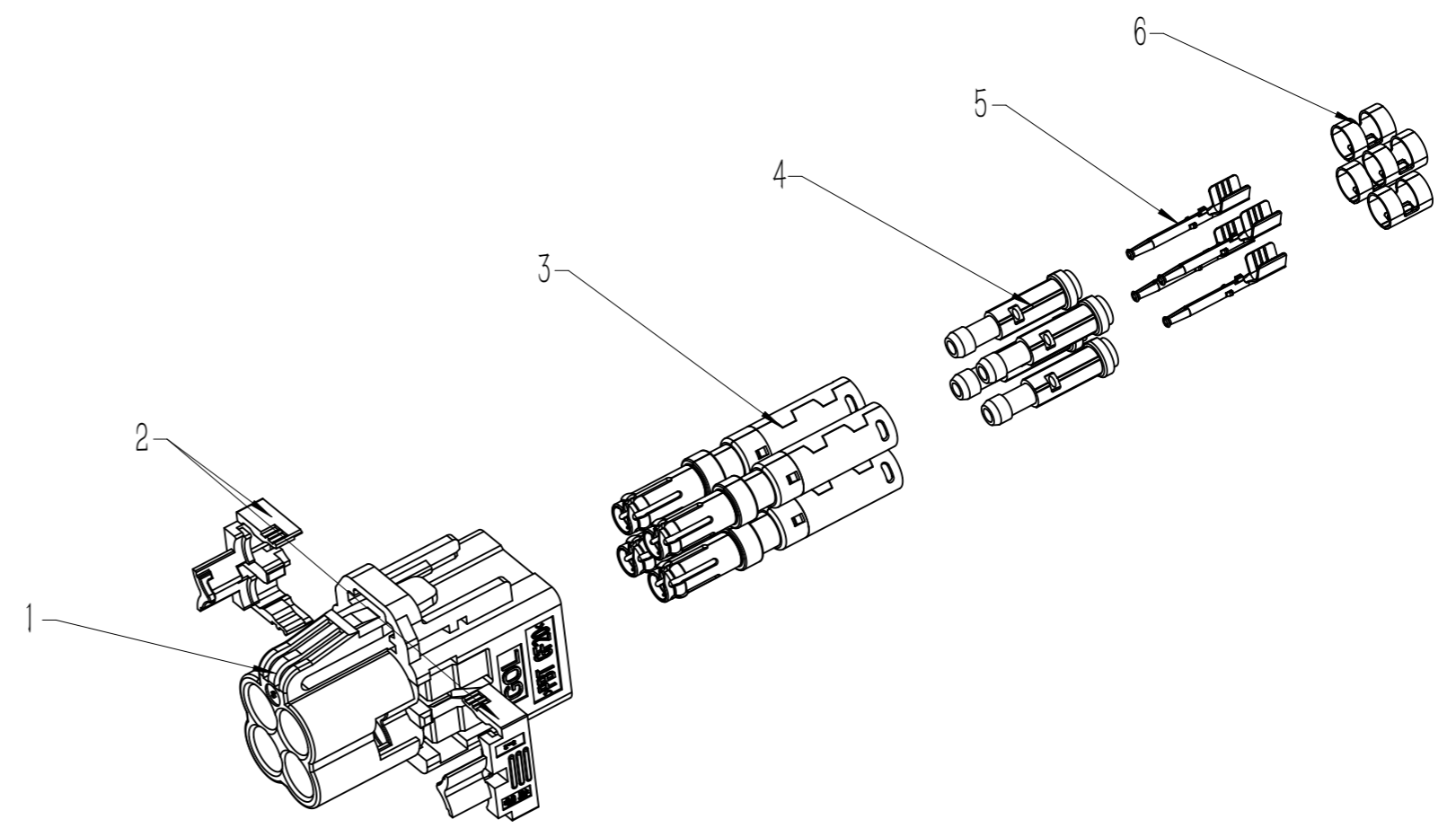


TABLE 1

Coding	Plug	Color/Ral-Nr	Part Number
A		墨黑色 Ral 9005	1MFCN01F04PAPS00
B		纯白色 Ral 9010	1MFCN01F04PBPS00
C		淡蓝色 Ral 5012	1MFCN01F04PCPS00
D		枣红色 Ral4004	1MFCN01F04PDPS00
E		叶绿色 Ral 6002	1MFCN01F04PEPS00
F		深棕色 Ral 8011	1MFCN01F04PFPS00
Z		水蓝色 Ral 5021	1MFCN01F04PZPS00



Item	Part Name	Part Number	Q'TY	Material	Plating
1	Coding Housing	2MFCN01B0401*-00	1	PBT GF 20% Ral SEE TABLE 1	/
2	Second Lock	2MFCN01B01028-00	2	PBT GF10% Ral 4006	/
3	Outer Conductor	2TPHMFCN01T02-00	4	COPPER ALLOY	Tin over Ni
4	Inner Insulator	2MFCN01B01030-00	4	PA12 GB30	/
5	Inner Contact	2TPHMFCN01F01-00	4	COPPER ALLOY	Au Over Ni
6	Crimp	2TSSFMCN04N00-00	4	SUS304	CLEAN

GENERAL TOLERANCE		DRAWN	DATE	SCALE	PART NO.	ITEM NO.
X. ±0.15	X° ±1°	CHECKED	2021-02-05	1:1	TITLE	Customer Drawing
.X ±0.10	.X° ±0.1°	APPROVED		UNITS	mm	Mini Fakra 4 in 1 Cable Side Connector
.XX ±0.05		FILE NO.	MFCN0101S			
.XXX ±0.03		REV.				
SHEET	2/2	Q'TY	1	X2	苏州祥龙嘉业电子科技股份有限公司 Goldenconn Electronics Technology Co.,LTD	