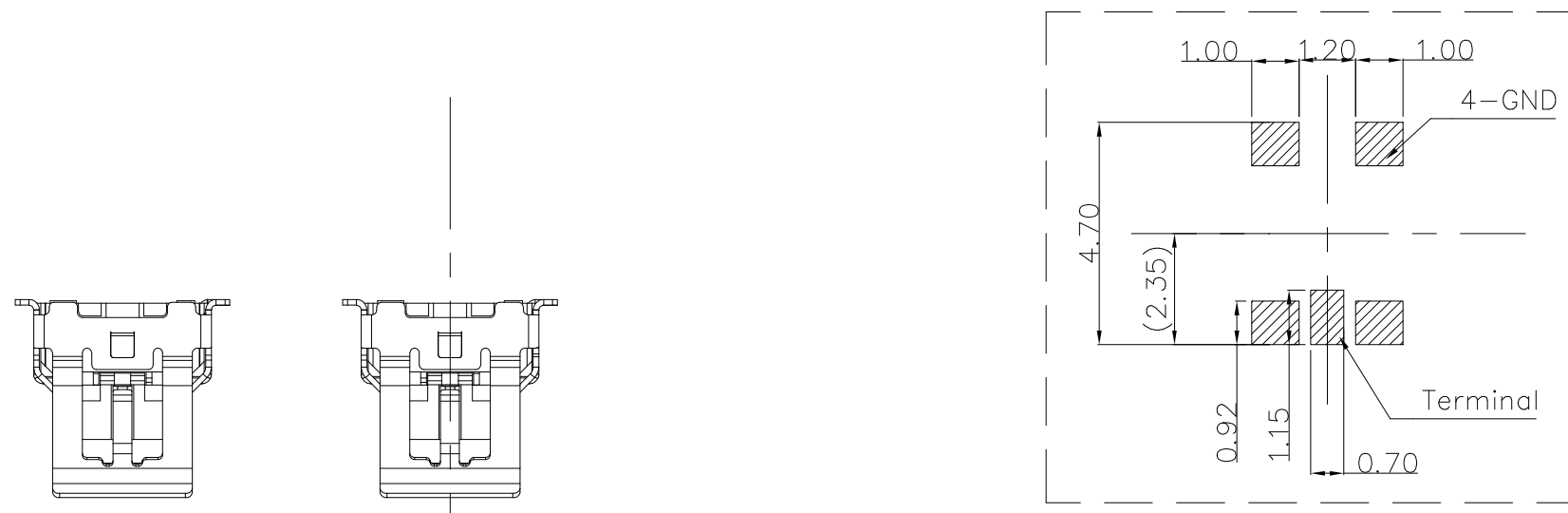


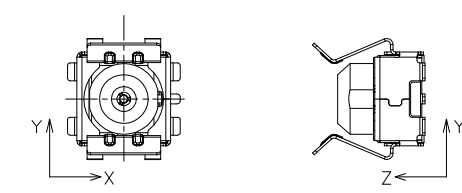
REV.	ECN.NO.	MODIFY.CONTENT	DATE
A		FIRST VERSION	03/26' 19



RECOMMEND PCB LAYOUT  
TOP VIEW Tolerance:±0.05mm  
SOLDER AREA

NOTES:

- Coplanarity: 0.1MAX
- Floating: X±0.5mm; Y ±0.5mm; Z±0.35mm



3. Specification:

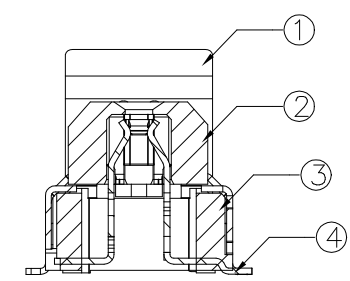
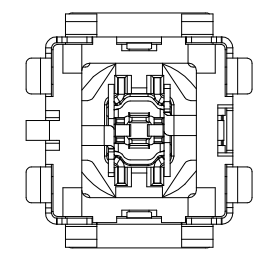
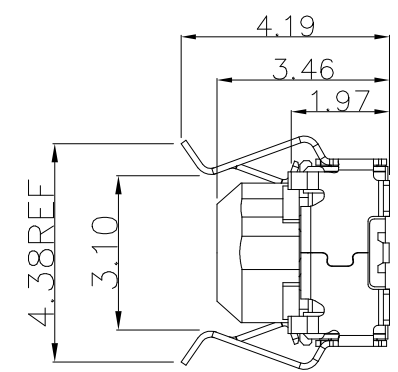
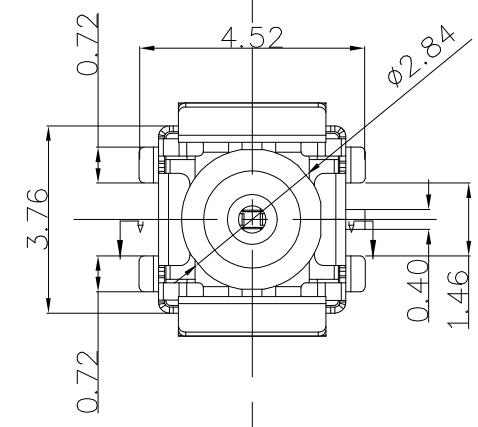
- Current Rating :1mA max.
- Contact Resistance: 20 mOhms max
- Insulation Resistance:1000 MOhms min./500VDC
- Dielectric Withstanding Voltage:500 V AC/1minute
- Operating Temperature:-40°C to+105°C
- Mating force : 9.8N MAX
- Mating Cycles: 20 Insertions

4. Plating:

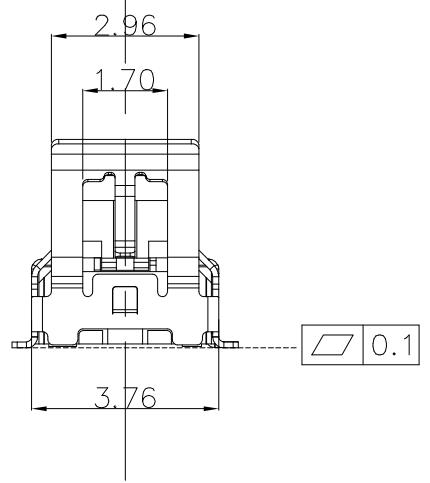
Contact: 1FAR001\*01R1R-HF

PLATING CODE

- F:Au:1u" MIN.
- U:Au:2u" MIN.
- E:Au 5u" MIN.
- J:Au 15u" MIN.
- k:Au:30u" MIN.



A-A



NO.	PART NAME	QTY.	MATERIAL	FINISH	REMARKS
4	TERMINAL	1	Corson alloy	Au	
3	HOUSING B	1	Thermo plastics	Black	
2	HOUSING A	1	Thermo plastics	Black	
1	SHELL	1	Stainless steel	Au	

GENERAL TOLERANCE		DRAWN	Gary Fan	03/26' 19	SCALE	PART NO.	1FAR001J01R1R-HF
X.±0.30	x.°±3.0°	CHECKED	CunFa Lin	03/26' 19	1/1	TITLE	浮动 FAKRA REC
.X±0.25	.x°±2.0°	APPROVED	CunFa Lin	03/26' 19	UNITS	mm	CUSTOMER DRAWING
.XX±0.20		File NO.	FAR00101S				
.XXX±0.10		REV.					
SHEET	1/3	Q'TY	1	A	蘇州祥龍嘉業電子科技股份有限公司 Goldenconn Electronics Technology Co.,LTD		