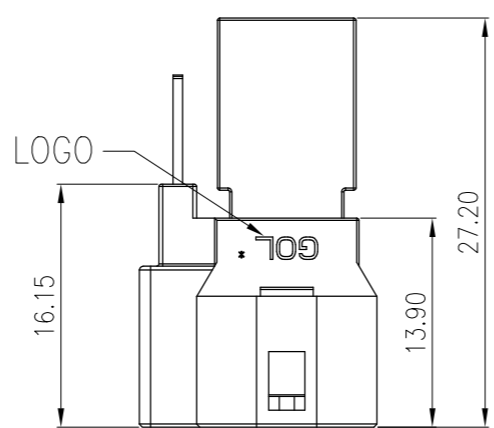
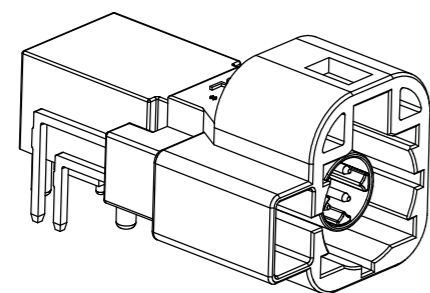
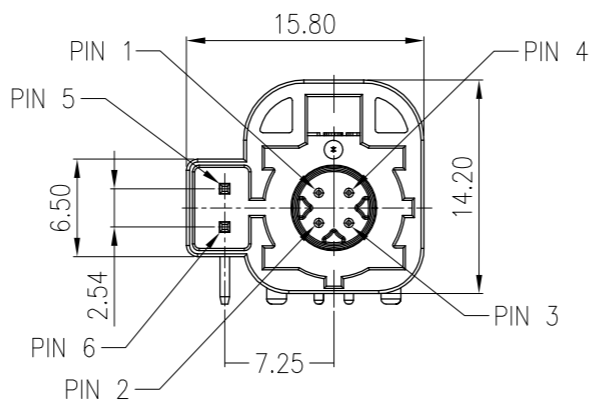
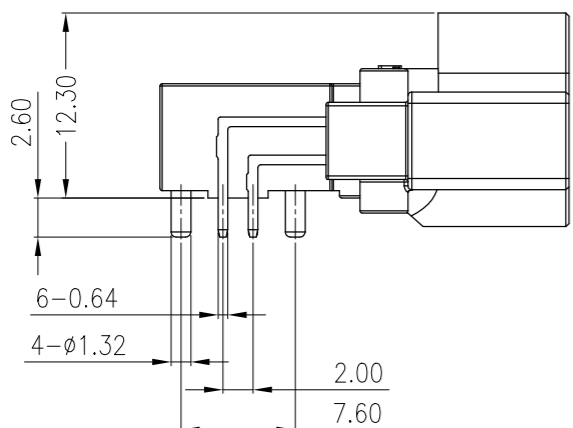


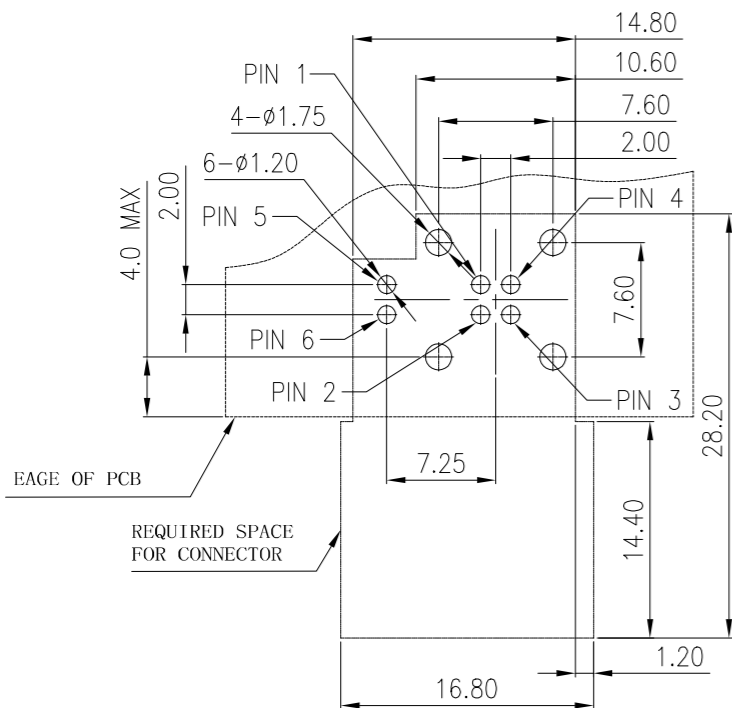
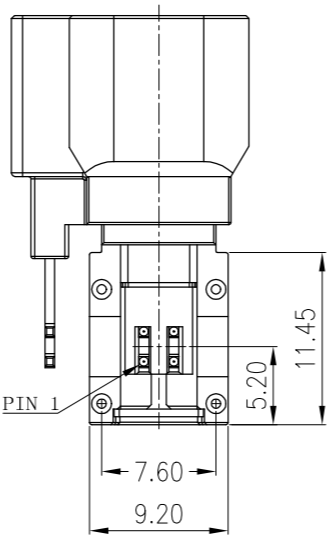
REV.	ECN.NO.	MODIFY.CONTENT	DATE
X1		FIRST VERSION	10/29'19
X2		ADD PIN ASSIGNMENT	4/04'20
X3		CHANGE PLATING AREA	12/10'20



NOTE:
 1.CODING RIBS FOR CONFIGURATION OF THE MECHANICAL CODINGS IS SHOWN ON SHEET 2;
 2.MATERIALS AND FINISHES:
 CODE HOUSING PA66 COLOR REFER TO SHEET 2
 INSULATOR PA66 NATURL
 METAL CASE Zn ALLOY TIN PLATING
 SINGAL CONTACT BRASS GOLD PLATING AT CONTACT AREA,TIN PLATING IN SOLDER TAIL
 POWER CONTACT BRASS TIN PLATING OVER ALL



3.PACKAGE:TAPE REEL;
 4.ELECTRICAL DATA:
 IMPEDANCE: 100 Ω;
 FREQUENCY: DC to 2.0 GHz;
 RETURN LOSS: >=20 dB to 1 GHz, >=17 dB to 2 GHz
 INSERTION LOSS: <=0.1 dB @ 1.0 GHz;
 SKEW(BETWEEN SIGNAL CONTACTS): <=5 psec.;
 NEAREND-CROSSTALK: <=30 dB;
 FAREND-CROSSTALK: <=35 dB;
 CONTACT PIN RESISTANCE: <=10 mΩ;
 METAL CASE RESISTANCE: <=7.5 mΩ;
 TEST VOLTAGE: 250 V rms;
 WORKING VOLTAGE: 100 V rms;
 POWER CURRENT HSD: <=1.5 A DC;
 POWER CURRENT LIN CONTACTS:<=2.0 A DC;
 INSULATOR RESISTANCE: >=1000 MΩ;
 RF-LEAKAGE(SHIELDING EFFECTIVENESS): >=75 dB up to 1 GHz(IEC 62153-4-7),
 >=65 dB up to 2 GHz(IEC 62153-4-7);



PCB LAYOUT: ±0.05mm
 TOP VIEW

5.MECHANICAL DATA:
 MATING CYCLES: >=25 CYCLES;
 INSERTION FORCE: <=60N;
 PULL FORCE: >=5N;
 LOCK RETENTION FORCE: >=110N;
 CODING EFFICIENCY: >=80N;
 6.ENVIRONMENTAL DATA:
 TEMPERATURE RANGE:-40℃ TO +105℃;
 THERMAL SHOCK: DIN IEC 60068-2-14 TEST NA;
 TEMPERATURE AND HUMIDITY: USCAR 2-4 5.6.2;
 VIBRATION(RANDOM): DIN IEC 60068-2-64;
 MECHANICAL SHOCK: DIN IEC 60068-2-27;
 HIGH-TEMP. EXPOSURE: DIN IEC 60068-2-2;
 SOLDERING PROFILE: ACC. to IEC 60068-2-58, GROUP 3&4;
 RoHS: COMPLIANT.

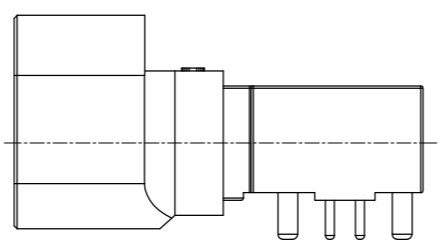
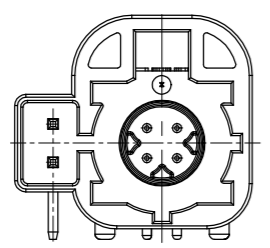
GENERAL TOLERANCE		DRAWN	Sandy Guo	12/10'20	SCALE	PART NO.	1HSBN01FU4R*3R00
X.±0.30	x.°±3.0°	CHECKED	Wu, Michael	12/10'20	N/A	TITLE	HSD 4+2 PIN RIGHT ANGLE
.X±0.25	.x°±2.0°	APPROVED	He, Sky	12/10'20	UNITS	mm	CUSTOMER DRAWING
.XX±0.20		File NO.	HSBN0102S				
.XXX±0.10		REV.					
SHEET	1/2	Q'TY	1	X3	蘇州祥龍嘉業電子科技股份有限公司 Goldenconn Electronics Technology Co.,LTD		

此文件为双方检验的唯一标准
 This document is the only standard for inspection by both parties.

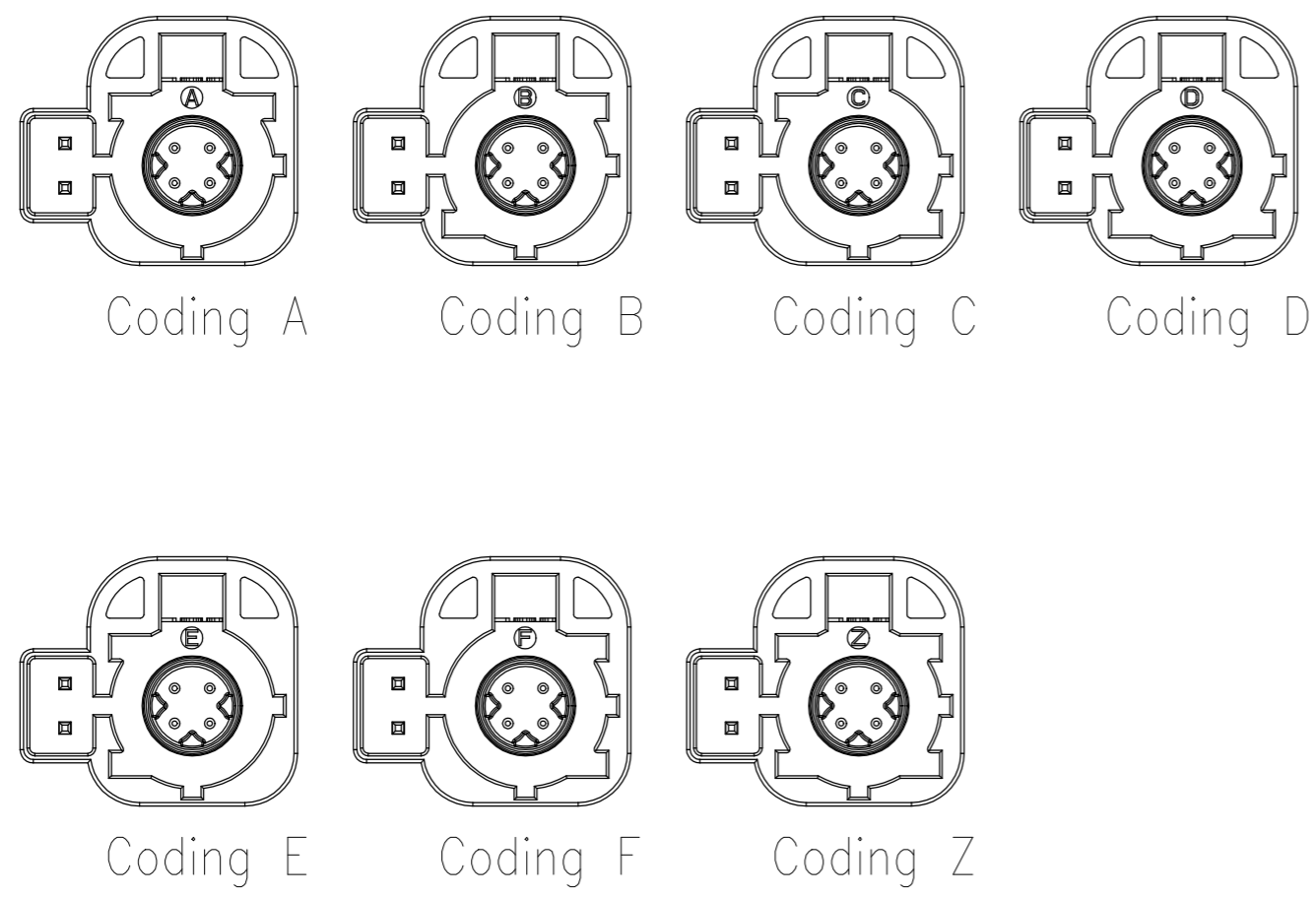
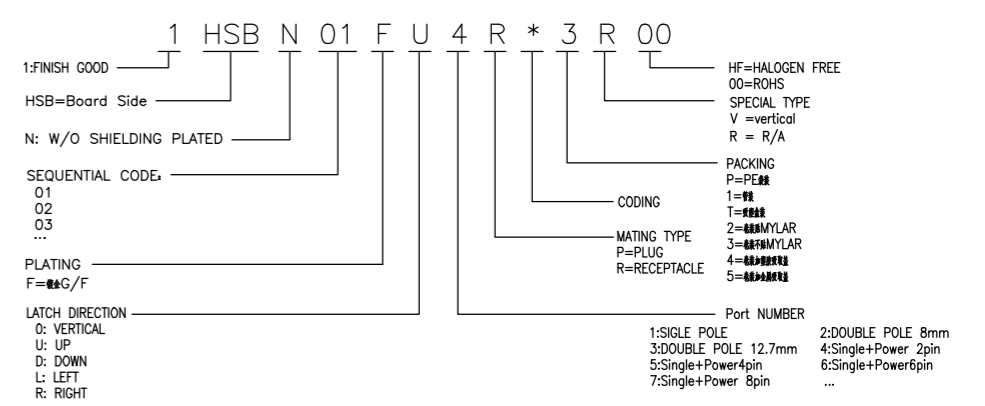
REV.	ECN.NO.	MODIFY.CONTENT	DATE

SEE SHEET 1

ALL CODING RIBS SHOWN



PRODUCT NUMBER RULE



Coding	Color	RAL.	Part Number
A	Black	RAL 9005	1HSBN01FU4RA3R00
B	White	RAL 9001	1HSBN01FU4RB3R00
C	Blue	RAL 5005	1HSBN01FU4RC3R00
D	Bordeaux	RAL 4004	1HSBN01FU4RD3R00
E	Green	RAL 6002	1HSBN01FU4RE3R00
F	Brown	RAL 8011	1HSBN01FU4RF3R00
Z	Waterblue	RAL 5021	1HSBN01FU4RZ3R00

GENERAL TOLERANCE		DRAWN	Sandy Guo	12/10'20	SCALE	PART NO.	1HSBN01FU4R*3R00
X.±0.30	x.°±3.0°	CHECKED	Wu, Michael	12/10'20	N/A	TITLE	HSD 4+2 PIN RIGHT ANGLE
.X±0.25	.x°±2.0°	APPROVED	He, Sky	12/10'20	UNITS	mm	CUSTOMER DRAWING
.XX±0.20		File NO.	HSBN0102S				
.XXX±0.10		REV.	蘇州祥龍嘉業電子科技股份有限公司				
SHEET	2/2	Q'TY	1	X3	Goldenconn Electronics Technology Co.,LTD		

此文件为双方检验的唯一标准
 This document is the only standard for inspection by both parties.